

Data Sheet

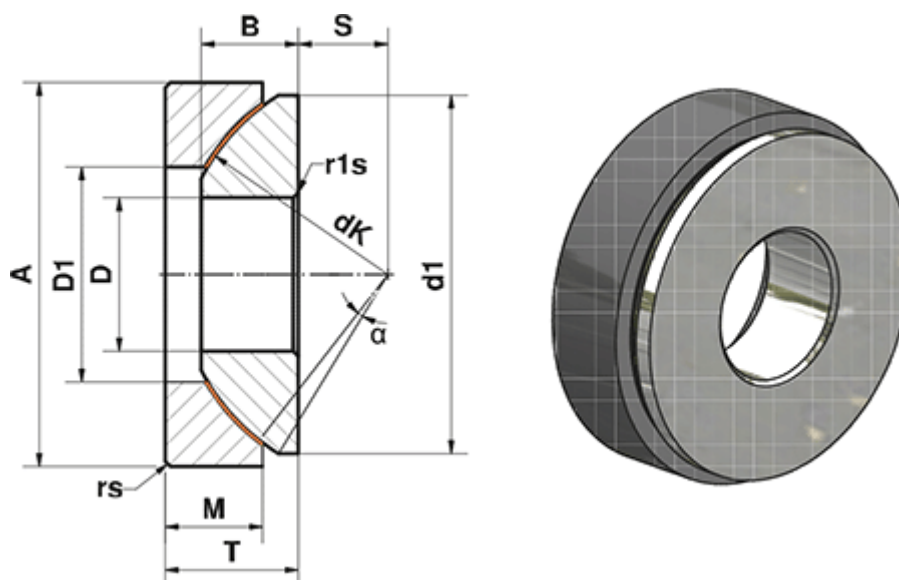


Article number: 03450012

Description: Fluro Heavy Duty Spherical Plain Bearing GE 12 AWE
Hole \varnothing 12

Note: 12

Measures



A	= 35	M	= 9.3
a (degrees)	= 5	rs, r1s min	= 0.6
B	= 9.5	S	= 8
D	= 12	Static load C0 (kN)	= 195
D1	= 20	T	= 13
d1 min	= 32	Weight (g)	= 72
dK	= 38		
Dynamic load C (kN)	= 117		